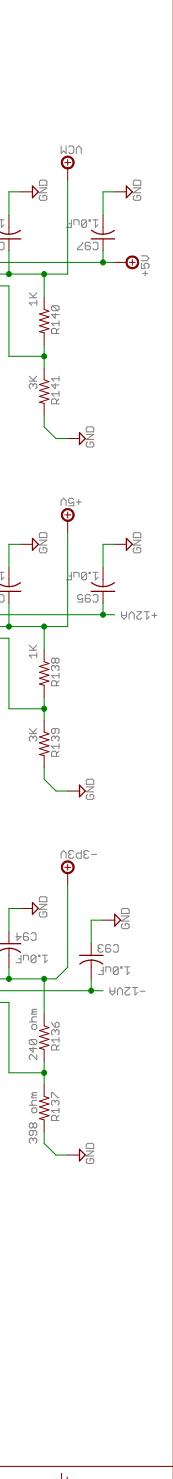


CONN1

A1	B1	C1
A2	B2	C2
A3	B3	C3
A4	B4	C4
A5	B5	C5
A6	B6	C6
A7	B7	C7
A8	B8	C8
A9	B9	C9
A10	B10	C10
A11	B11	C11
A12	B12	C12
A13	B13	C13
A14	B14	C14
A15	B15	C15
A16	B16	C16
A17	B17	C17
A18	B18	C18
A19	B19	C19
A20	B20	C20
A21	B21	C21
A22	B22	C22
A23	B23	C23
A24	B24	C24
A25	B25	C25
A26	B26	C26
A27	B27	C27
A28	B28	C28
A29	B29	C29
A30	B30	C30
A31	B31	C31
A32	B32	C32

# TRECO IRNDT

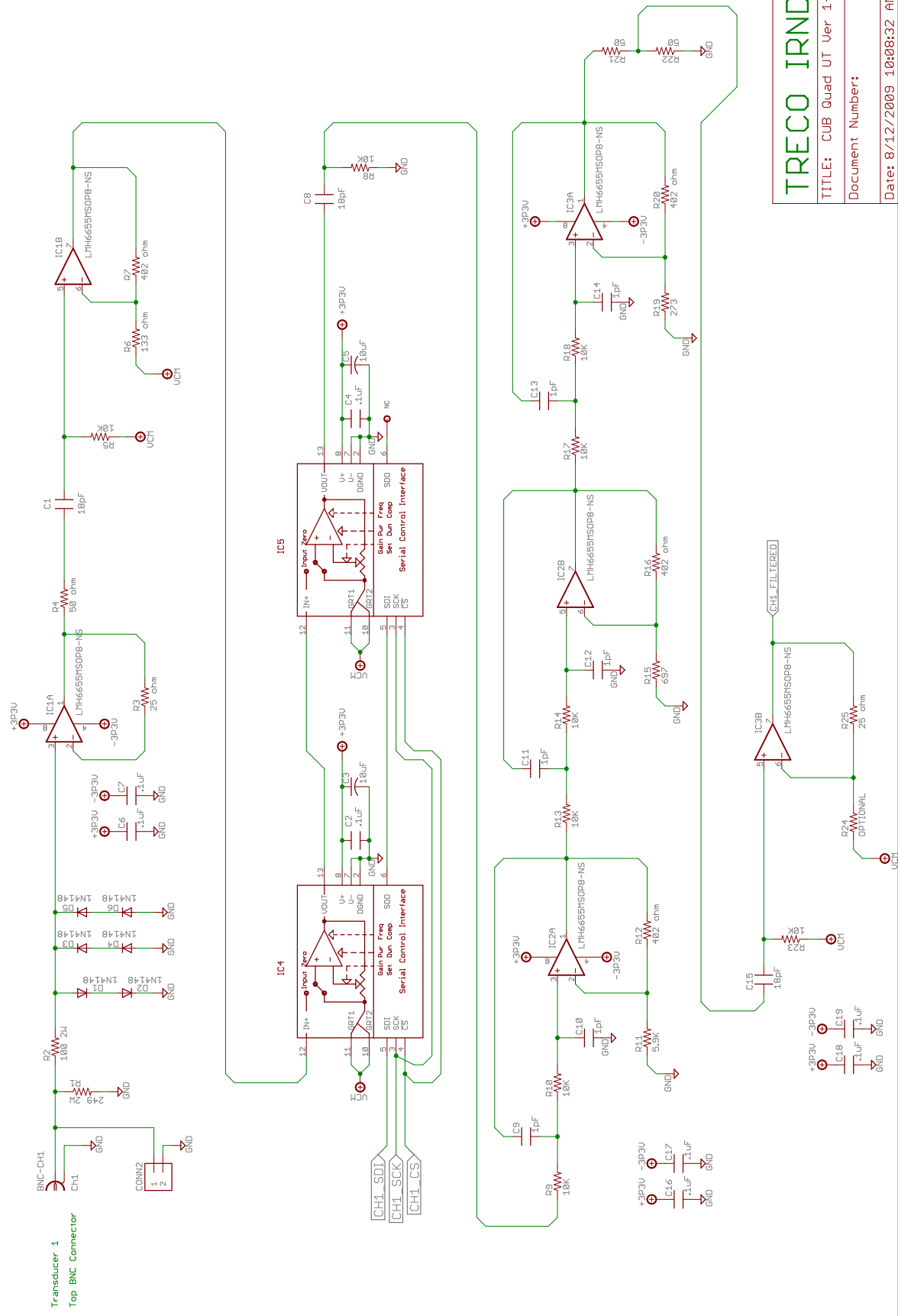
TITLE: CUB Quad UT Ver 1-0  
 Document Number:  
 Date: 8/12/2009 10:08:32 AM  
 Sheet: 1/14



CONN2

A1	B1	C1
A2	B2	C2
A3	B3	C3
A4	B4	C4
A5	B5	C5
A6	B6	C6
A7	B7	C7
A8	B8	C8
A9	B9	C9
A10	B10	C10
A11	B11	C11
A12	B12	C12
A13	B13	C13
A14	B14	C14
A15	B15	C15
A16	B16	C16
A17	B17	C17
A18	B18	C18
A19	B19	C19
A20	B20	C20
A21	B21	C21
A22	B22	C22
A23	B23	C23
A24	B24	C24
A25	B25	C25
A26	B26	C26
A27	B27	C27
A28	B28	C28
A29	B29	C29
A30	B30	C30
A31	B31	C31
A32	B32	C32

# Channel 1 Pre-Amp & Filtering



TRECO IRNDT

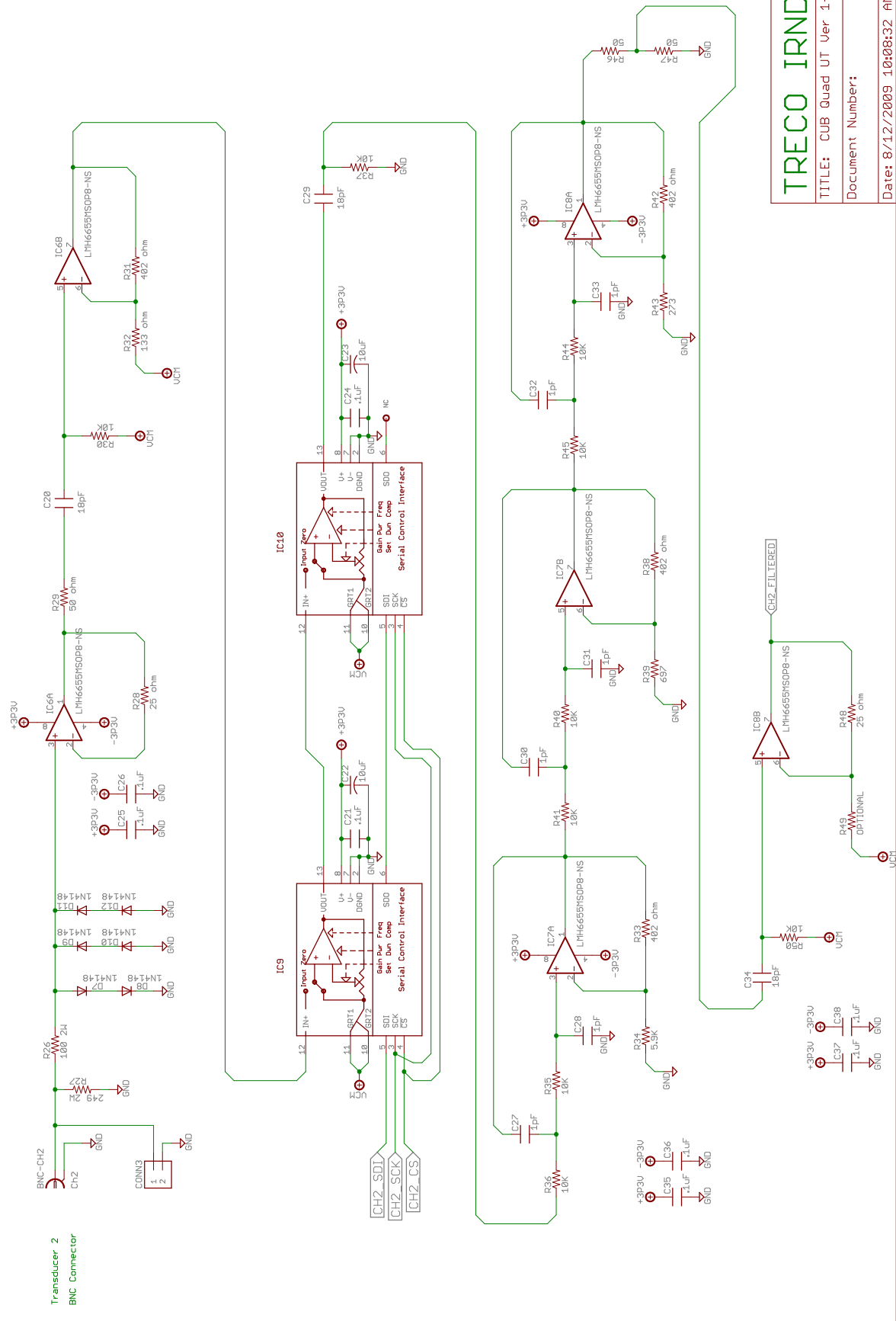
TITLE: CUB Quad UT Ver 1-0

Document Number:

Date: 8/12/2009 10:08:32 AM

Sheet: 2/14

# Channel 2 Pre-Amp & Filtering



TRECO IRNDT

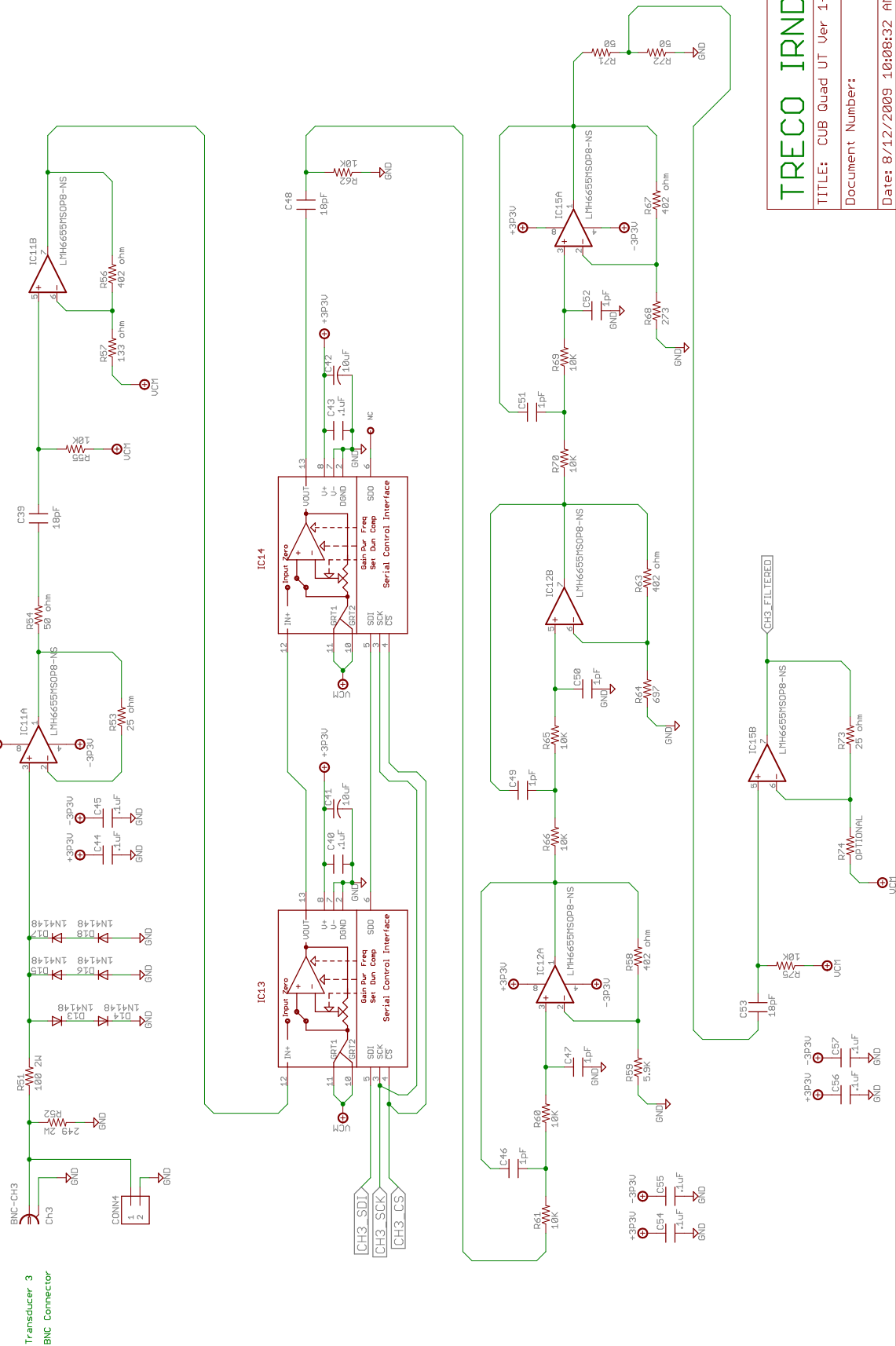
TITLE: CUB Quad UT Ver 1-0

Document Number:

Date: 8/12/2009 10:08:32 AM

Sheet: 3/14

# Channel 3 Pre-Amp & Filtering



**TRECO IRNDT**

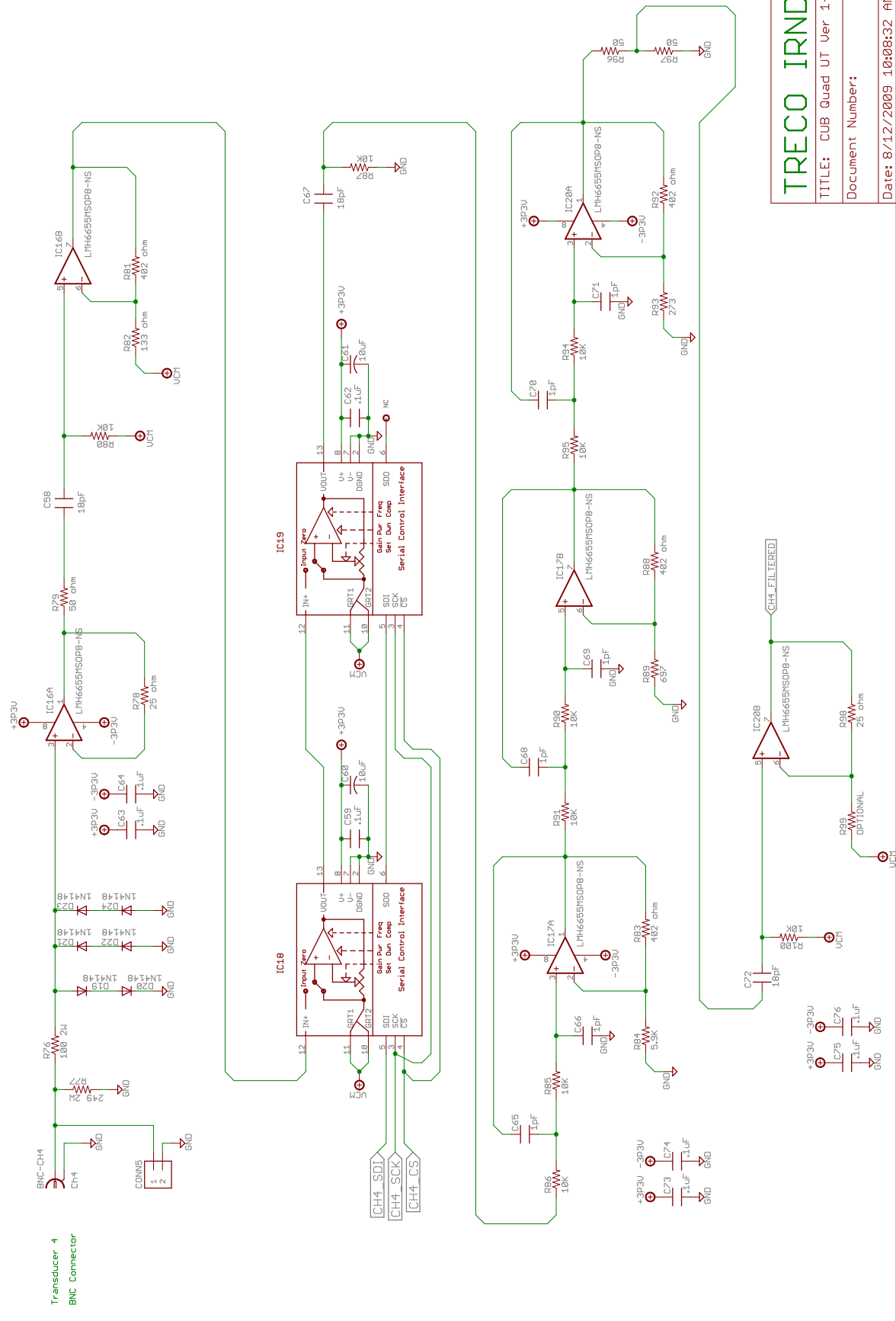
TITLE: CUB Quad UT Ver 1-0

Document Number:

Date: 8/12/2009 10:08:32 AM

Sheet: 4/14

# Channel 4 Pre-Amp & Filtering



TRECO IRNDT

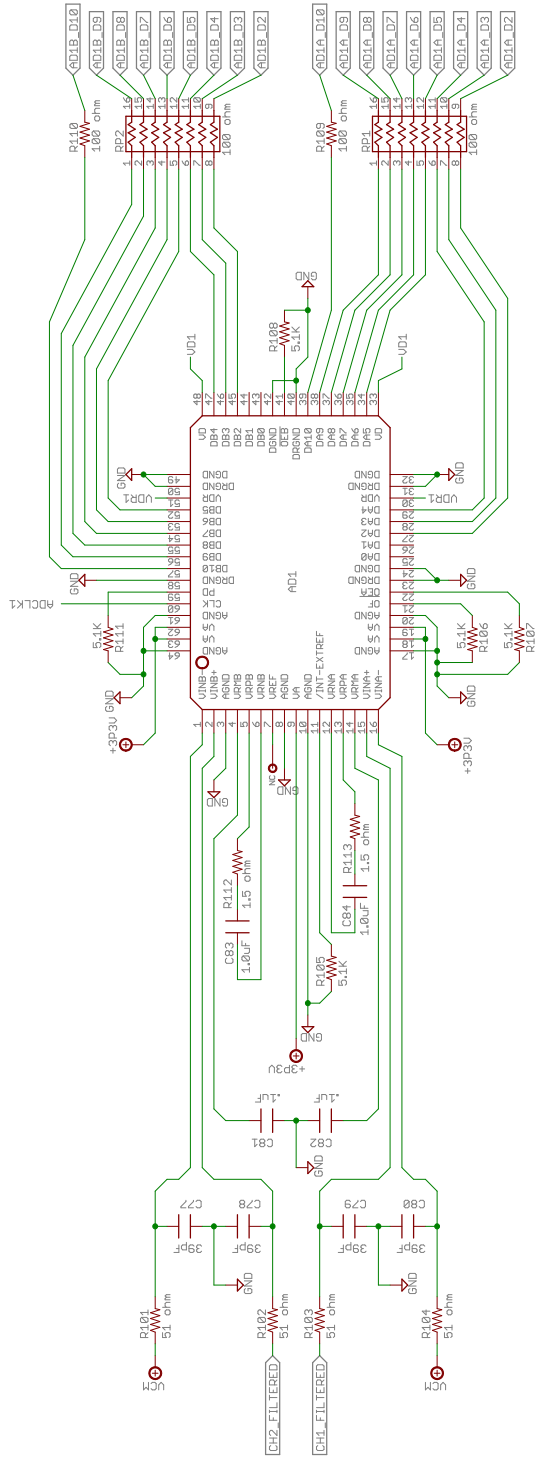
TITLE: CUB Quad UT Ver 1-0

Document Number:

Date: 8/12/2009 10:08:32 AM

Sheet: 5/14

# Channels 1 & 2 A/D Converter



These resistors are jumpers which can be replaced with 2.2nH inductors, if necessary to reduce noise. The inductors are not necessary for the A/D converter, inductors are probably not necessary.

TRECO IRNDT

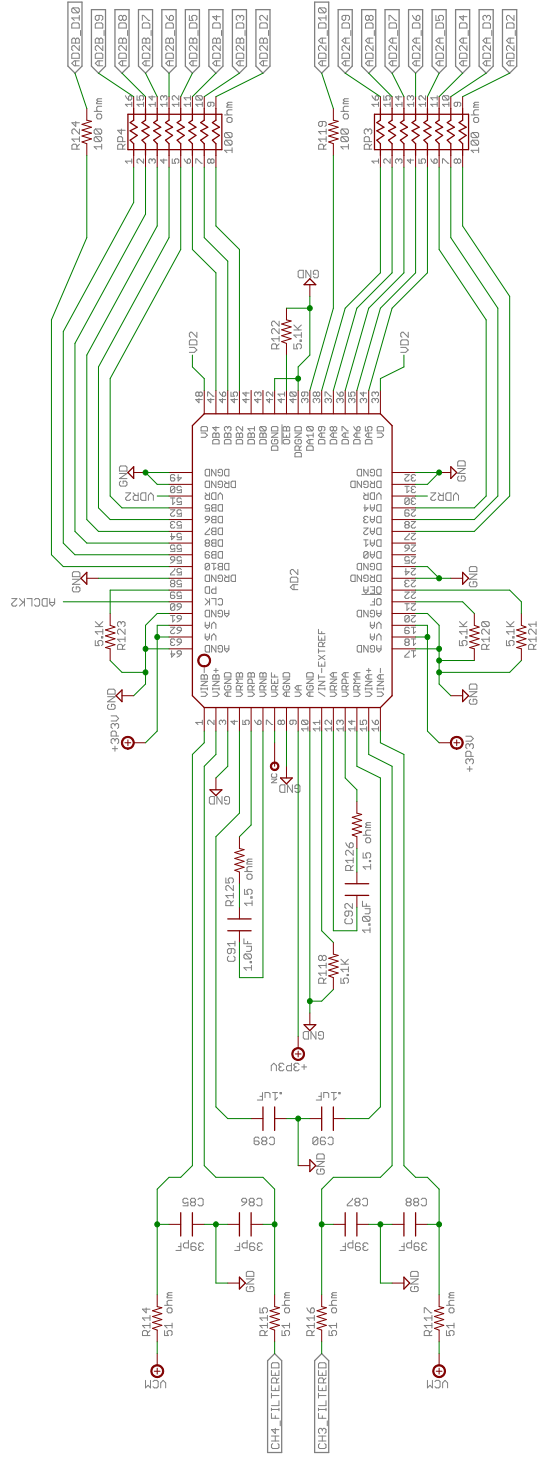
TITLE: CUB Quad UT Ver 1-0

Document Number:

Date: 8/12/2009 10:08:32 AM

Sheet: 6/14

# Channels 3 & 4 A/D Converter



These resistors are jumpers which can be replaced with 2.2nH inductors, if necessary to reduce noise. Inductors are not necessary for the 100 ohm resistors. Inductors are probably not necessary.

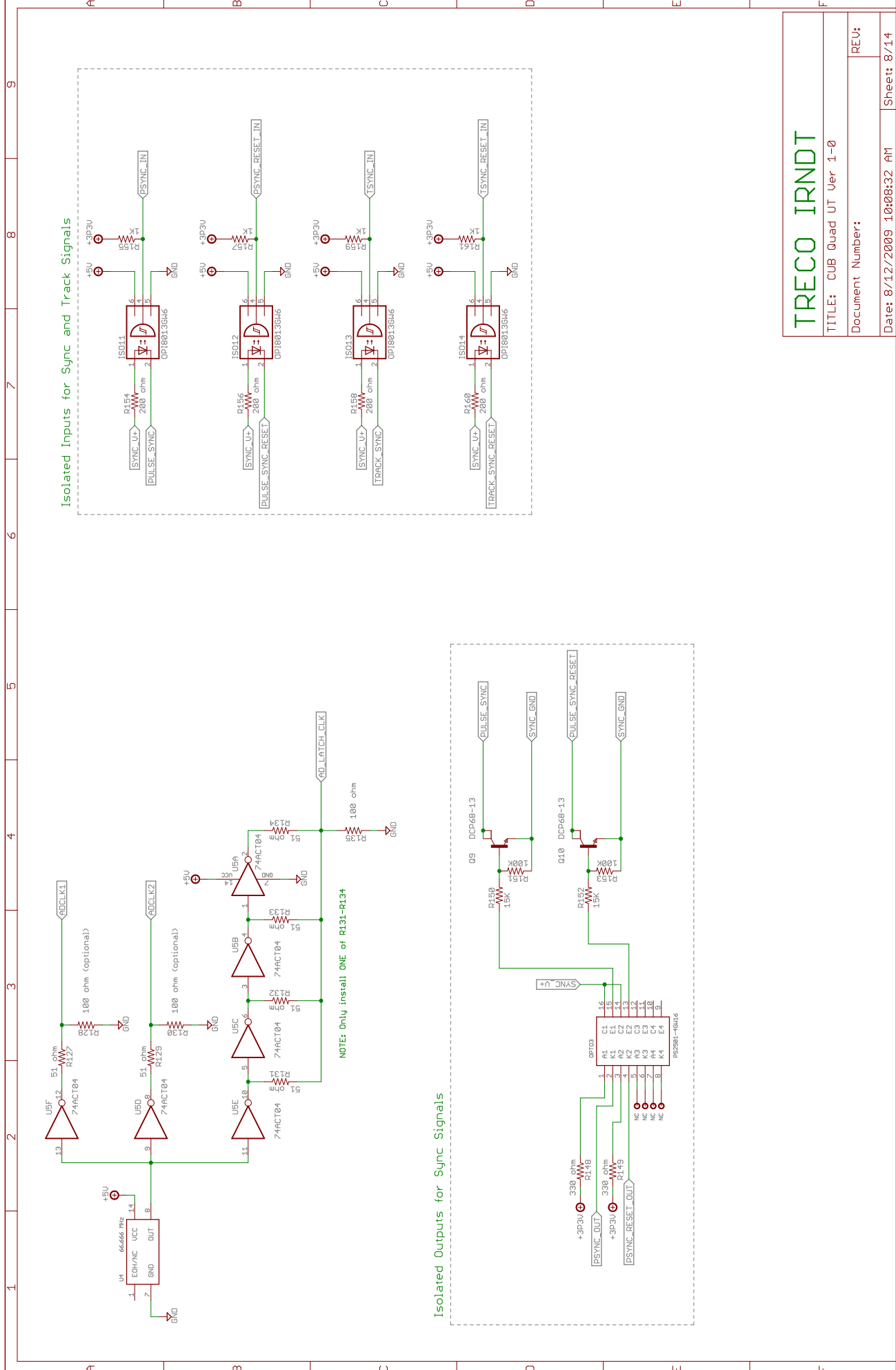
TRECO IRNDT

TITLE: CUB Quad UT Ver 1-0

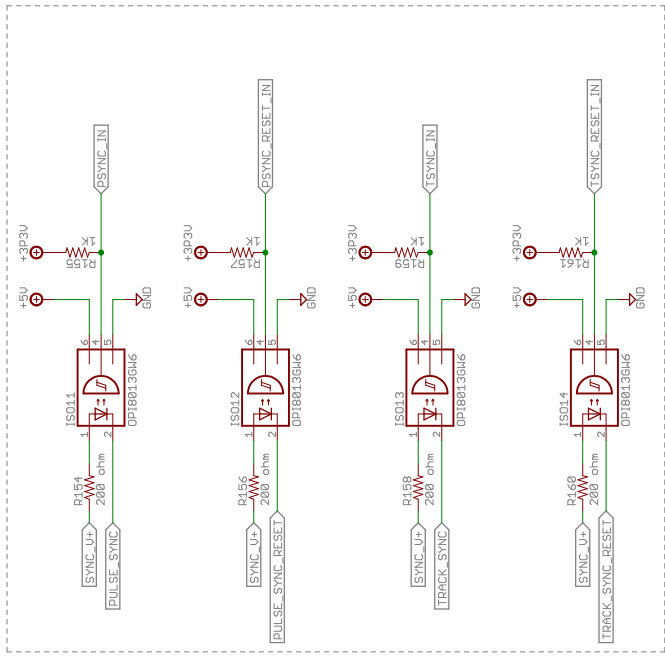
Document Number:

Date: 8/12/2009 10:08:32 AM

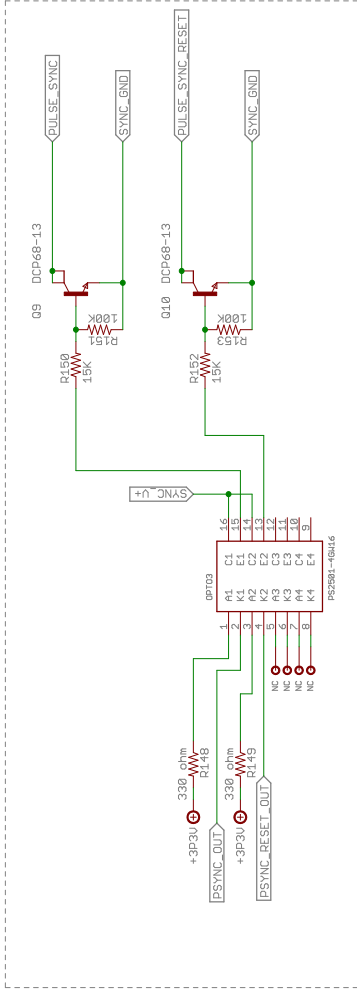
Sheet: 7/14



Isolated Inputs for Sync and Track Signals



Isolated Outputs for Sync Signals



NOTE: Only install ONE of R151-R154

TRECO IRNDT

TITLE: CUB Quad UT Ver 1-0

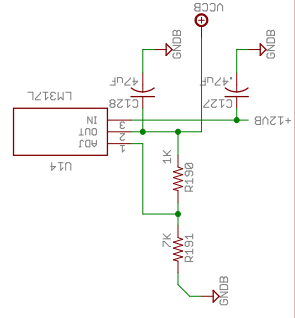
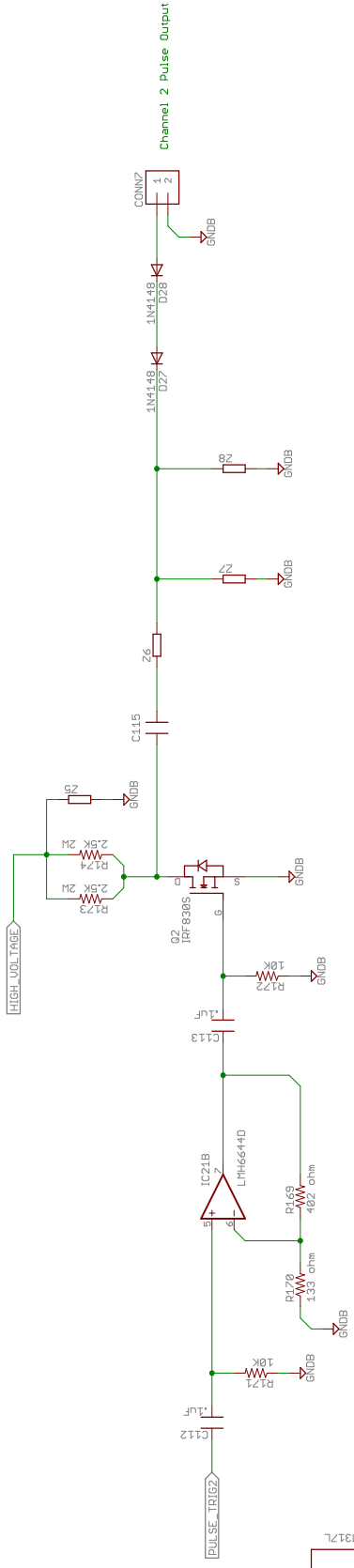
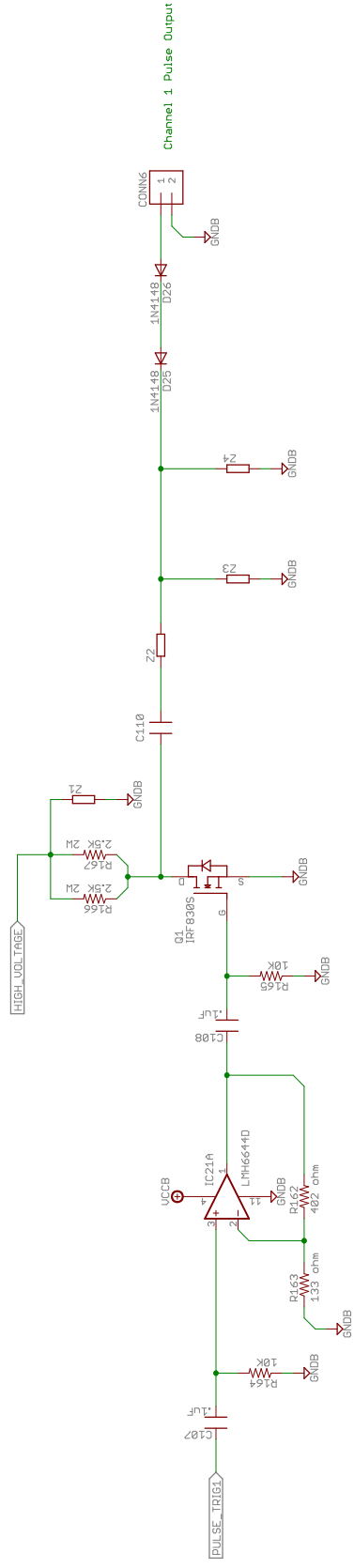
Document Number:

Date: 8/12/2009 10:08:32 AM

Sheet: 8/14



# Hi Voltage Pulser for Channels 1 and 2



**TRECO IRNDT**

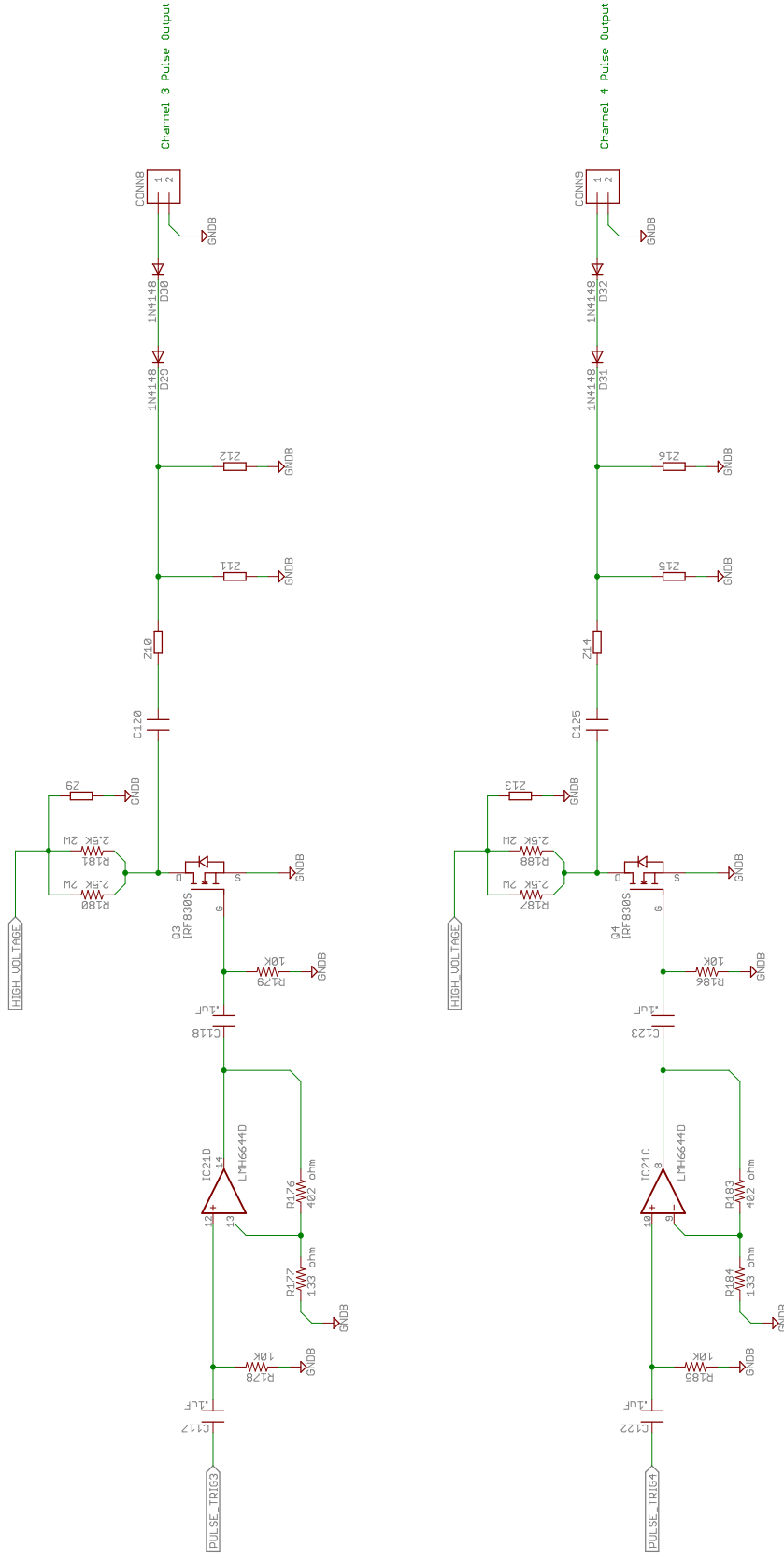
TITLE: CUB Quad UT Ver 1-0

Document Number:

Date: 8/12/2009 10:08:32 AM

Sheet: 9/14

# Hi Voltage Pulser for Channels 3 and 4



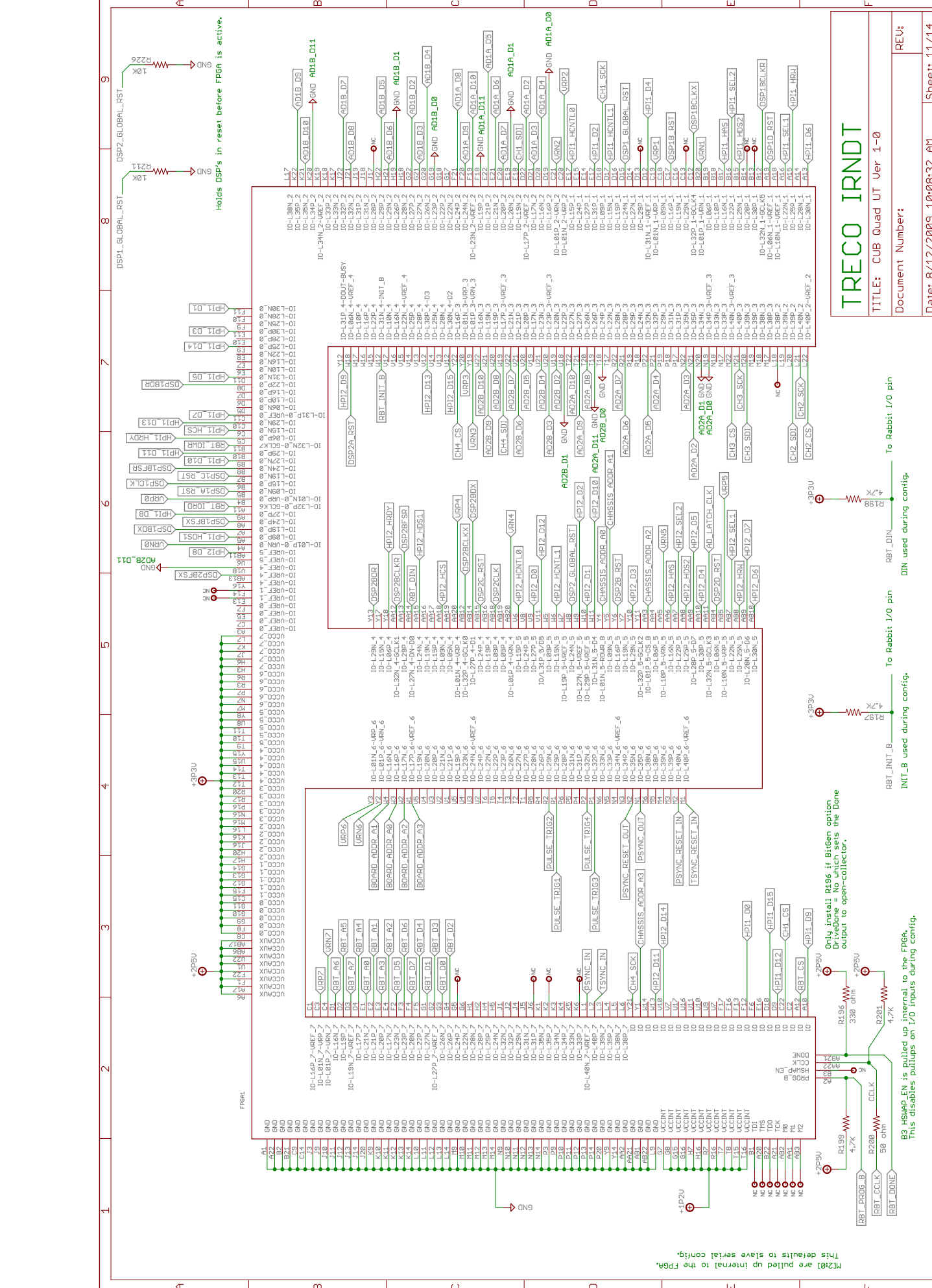
TRECO IRNDT

TITLE: CUB Quad UT Ver 1-0

Document Number:

Date: 8/12/2009 10:08:32 AM

Sheet: 10/14



Holds DSPs in reset before FPGA is active.

To Rabbit I/O pin

To Rabbit I/O pin

To Rabbit I/O pin

DIN used during config.

Only install R496 if Bitgen option DriveDone = No which sets the Done output to open-collector.

R9 HSAPEN is pulled up internal to the FPGA. This disables pullups on I/O inputs during config.

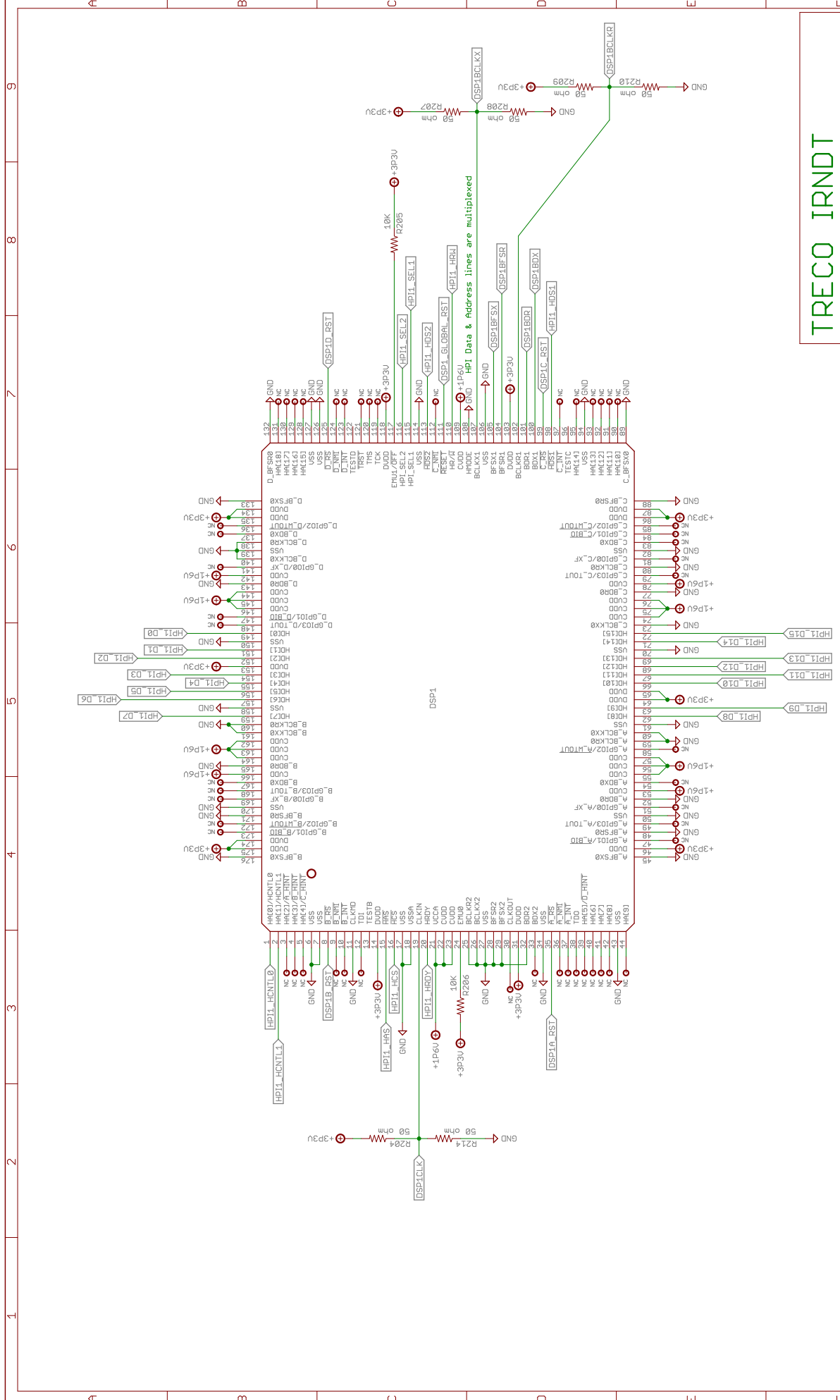
Pin28) are pulled up internal to the FPGA. This defaults to slave serial config.

10-1468	2-URF2	UR26
10-1469	2-URF2	UR27
10-1470	2-URF2	UR28
10-1471	2-URF2	UR29
10-1472	2-URF2	UR30
10-1473	2-URF2	UR31
10-1474	2-URF2	UR32
10-1475	2-URF2	UR33
10-1476	2-URF2	UR34
10-1477	2-URF2	UR35
10-1478	2-URF2	UR36
10-1479	2-URF2	UR37
10-1480	2-URF2	UR38
10-1481	2-URF2	UR39
10-1482	2-URF2	UR40
10-1483	2-URF2	UR41
10-1484	2-URF2	UR42
10-1485	2-URF2	UR43
10-1486	2-URF2	UR44
10-1487	2-URF2	UR45
10-1488	2-URF2	UR46
10-1489	2-URF2	UR47
10-1490	2-URF2	UR48
10-1491	2-URF2	UR49
10-1492	2-URF2	UR50
10-1493	2-URF2	UR51
10-1494	2-URF2	UR52
10-1495	2-URF2	UR53
10-1496	2-URF2	UR54
10-1497	2-URF2	UR55
10-1498	2-URF2	UR56
10-1499	2-URF2	UR57
10-1500	2-URF2	UR58
10-1501	2-URF2	UR59
10-1502	2-URF2	UR60
10-1503	2-URF2	UR61
10-1504	2-URF2	UR62
10-1505	2-URF2	UR63
10-1506	2-URF2	UR64
10-1507	2-URF2	UR65
10-1508	2-URF2	UR66
10-1509	2-URF2	UR67
10-1510	2-URF2	UR68
10-1511	2-URF2	UR69
10-1512	2-URF2	UR70
10-1513	2-URF2	UR71
10-1514	2-URF2	UR72
10-1515	2-URF2	UR73
10-1516	2-URF2	UR74
10-1517	2-URF2	UR75
10-1518	2-URF2	UR76
10-1519	2-URF2	UR77
10-1520	2-URF2	UR78
10-1521	2-URF2	UR79
10-1522	2-URF2	UR80
10-1523	2-URF2	UR81
10-1524	2-URF2	UR82
10-1525	2-URF2	UR83
10-1526	2-URF2	UR84
10-1527	2-URF2	UR85
10-1528	2-URF2	UR86
10-1529	2-URF2	UR87
10-1530	2-URF2	UR88
10-1531	2-URF2	UR89
10-1532	2-URF2	UR90
10-1533	2-URF2	UR91
10-1534	2-URF2	UR92
10-1535	2-URF2	UR93
10-1536	2-URF2	UR94
10-1537	2-URF2	UR95
10-1538	2-URF2	UR96
10-1539	2-URF2	UR97
10-1540	2-URF2	UR98
10-1541	2-URF2	UR99
10-1542	2-URF2	UR100

# TREC0 IRNDT

TITLE: CUB Quad UT Ver 1-0  
 Document Number:  
 Date: 8/12/2009 10:08:32 AM  
 Sheet: 11/14

REU:



GPI0, 1, 2, 3 for each core are not connected. Software should set them to outputs to avoid floating.

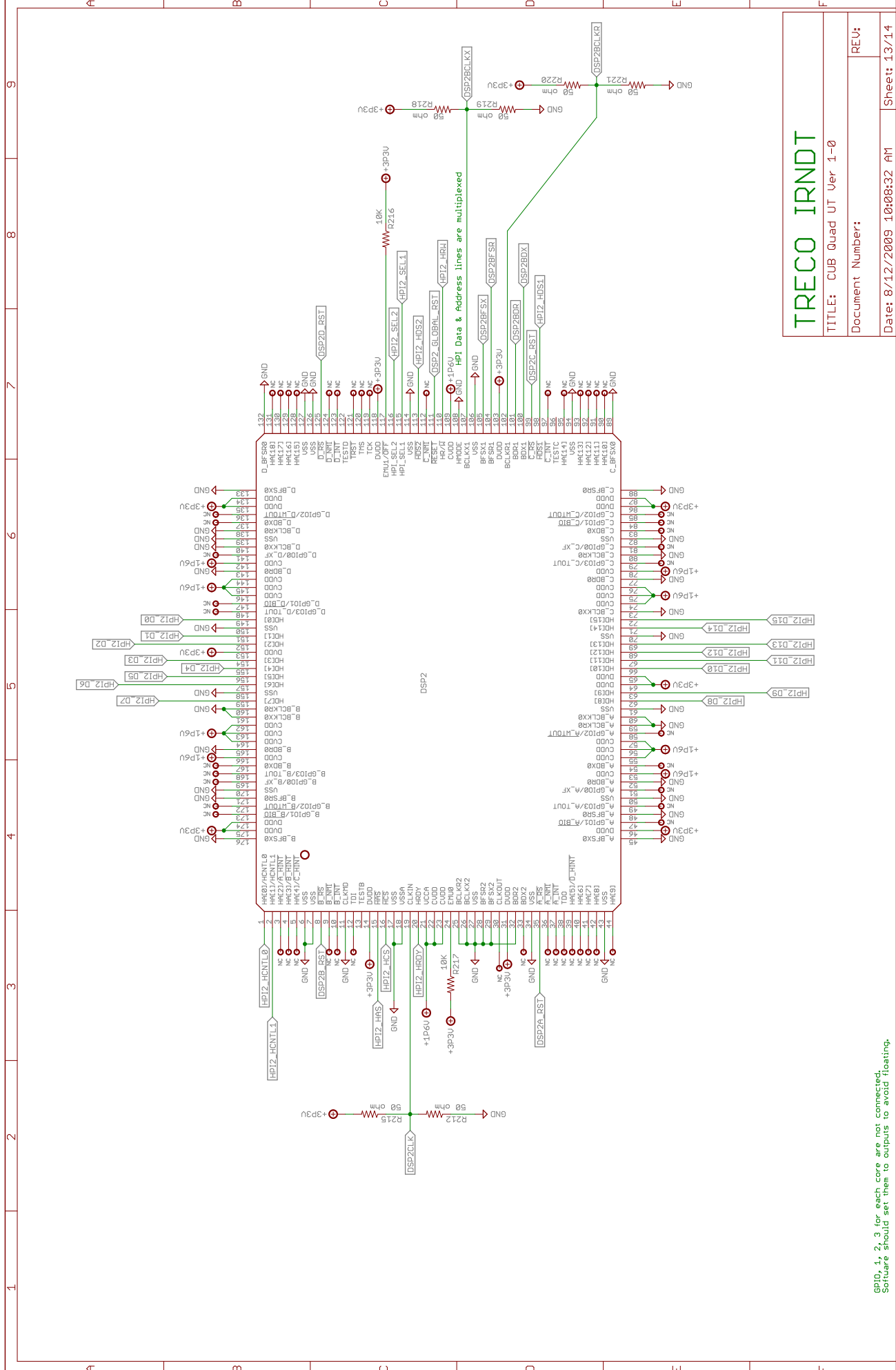
# TRECO IRNDT

TITLE: CUB Quad UT Ver 1-0

Document Number:

Date: 8/12/2009 10:08:32 AM

Sheet: 12/14



# TRECO IRNDT

TITLE: CUB Quad UT Ver 1-0

Document Number:

Date: 8/12/2009 10:08:32 AM

Sheet: 13/14

GPI0, 1, 2, 3 for each core are not connected. Software should set them to outputs to avoid floating.



# TRECO IRNDT

TITLE: CUB Quad UT Ver 1--0

Document Number:

Date: 8/12/2009 10:08:32 AM

Sheet: 14/14

REV:

Sheet: 14/14